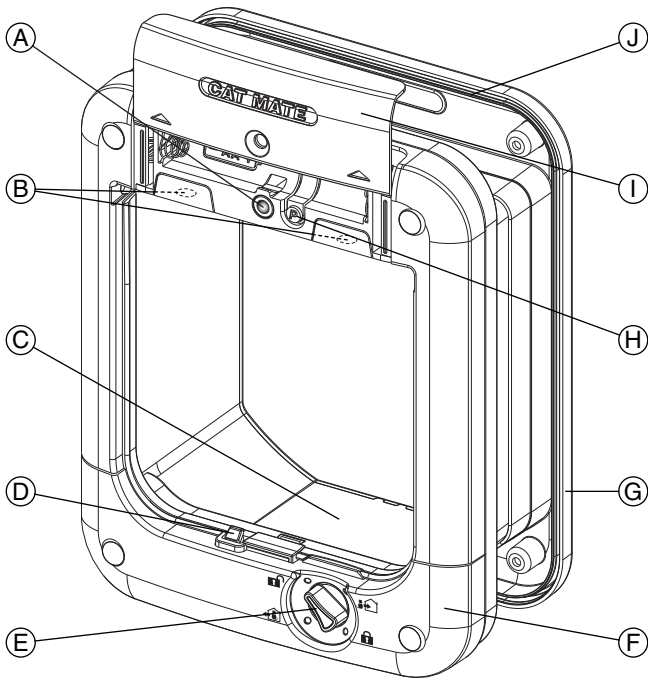


1




- A. LED
- B. Detector lenses
- C. Tunnel
- D. Catch
- E. Rotary 4 way lock
- F. Interior frame
- G. Exterior frame
- H. 'PROGRAM' button
- I. Battery Cover
- J. Seal

For model:

Ref. 360

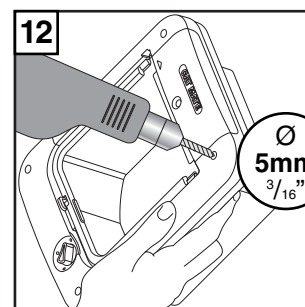
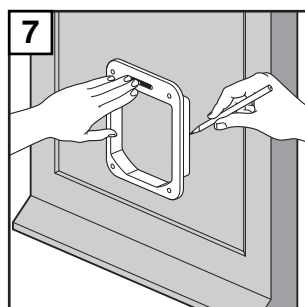
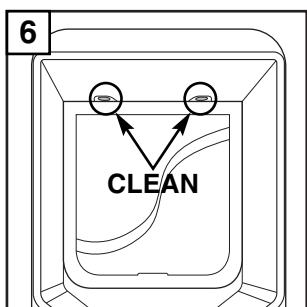
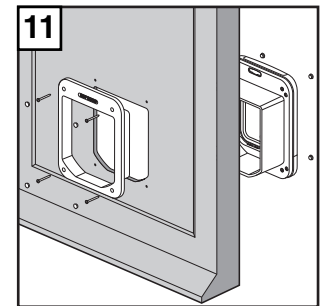
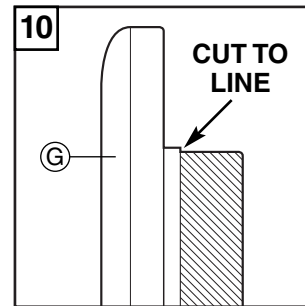
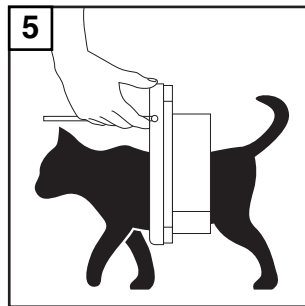
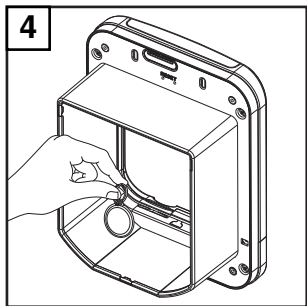
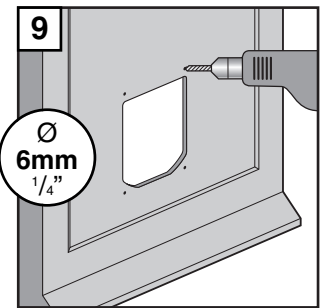
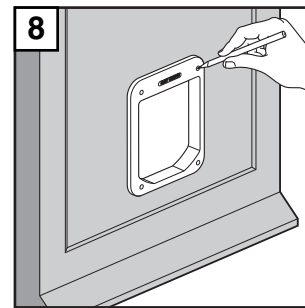
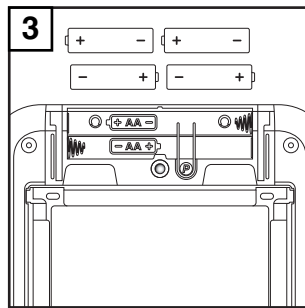
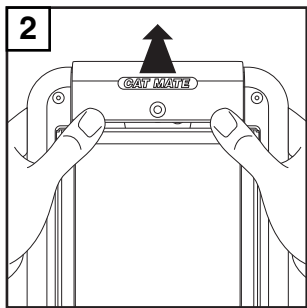
MICROCHIP CAT FLAP

 www.pet-mate.com

 +44 (0)1932 700 001
N America (936) 760 4333

36002/0514UK

© **PET MATE Ltd** · Lyon Road · Hersham · Surrey · KT12 3PU · England
N America: **Ani Mate** · 104A Lonview Drive · Conroe · Texas 77301



1. Introduction

Thank you for choosing the Cat Mate Microchip Cat Flap.

CAREFULLY READ THESE INSTRUCTIONS AND PROGRAM THE CAT FLAP BEFORE YOU INSTALL IT.

The Cat Mate Microchip Cat Flap allows you to control up to 30 cats' access through your cat flap.

This cat flap is suitable for all popular microchips. Alternatively it may be operated by a Cat Mate I.D. Disc (available separately). You may wish to use an I.D. Disc for cats without a microchip or in the event that your cat's microchip is faulty or poorly positioned.

2. Fitting the Batteries

- 2.1 Remove the battery cover by pushing the battery cover upwards (see Fig. 2).
- 2.2 Insert 4 x AA (R6) batteries as shown (Fig. 3). Do not replace cover until you have programmed the cat flap.
- 2.3 The cat flap will self check for up to 30 seconds and then the flap is ready to program.

All popular batteries can be used including rechargeable batteries, but the battery warning (Section 6) will only work correctly with alkaline batteries. Good quality alkaline batteries should last approximately 12 months (depending on number of cats and usage). You **MUST NOT** use lithium batteries.

3. Programming

Program your cat's microchip or I.D. Disc(s) as follows:





- 3.1 Press and hold the 'PROGRAM' button (H, Fig. 1) for 5 seconds until the LED (A) illuminates. Wait a minimum of 10 seconds.
- 3.2 Place an I.D. Disc in the tunnel opening (Fig. 4) or to program your cat's microchip, encourage your cat to slowly pass through the tunnel by holding the flap open as shown in Fig. 5 after checking the rotary 4 way lock (E) is set to 'IN & OUT'.
- 3.3 When programmed, the LED will flash.
- 3.4 Press the 'PROGRAM' button to save the setting.

For additional cats, up to a maximum of 30, repeat steps 3.1 to 3.4.

NOTE: If you attempt to program more than 30 I.D. Discs / microchips, the LED will flash. If this occurs perform a 'FACTORY RESET' (Section 8) and reprogram I.D. Discs / microchips in current use.

4. Access Options

Once your cat(s) microchip(s) / I.D. Disc(s) are programmed, the access options available with the rotary 4 way lock are:

-  **'In & Out'** Your cat(s) can come in and out of the flap
-  **'In Only'** Your cat(s) can come in through the flap but cannot leave through the flap
-  **'Out Only'** Cat(s) can go out through the flap but cannot enter through the flap
-  **'Locked'** Cat(s) cannot use the flap

5. Training Your Cat to Use the Cat Flap or if Your Cat Has Lost its I.D. Disc

It may take a little time for your cat to get used to its new cat flap. To help your cat get used to entering and exiting the flap, the flap can be set to 'TRAINING MODE' as follows:

- 5.1 Remove one battery for 60 seconds.
- 5.2 Replace battery and wait until interior lock (D) drops after approximately 5 seconds.
- 5.3 Remove battery within 5 seconds before lock is reactivated and replace battery cover.

Please be aware that in Training Mode your cat flap will allow access for other animals.

To exit the 'TRAINING MODE', simply reinstall all batteries.

NOTE: We do NOT recommend that cats, particularly kittens, are left alone to use their cat flap until you are satisfied that they are completely familiar with its operation.

6. Battery Replacement

When the LED flashes slowly (every 30 seconds), alkaline batteries should be replaced (See Section 2).

Please note, after fitting new batteries the Battery warning may take up to 15 minutes to disappear.

7. Factory Reset

To erase all programmed I.D. Discs / microchips, press and hold the 'PROGRAM' button for 30 seconds until LED flashes. After a further 30 seconds you may re-programme I.D. Disc(s) / microchip(s) (See Section 3).

8. Maintenance

Regularly clean the two detector lenses (B, Fig. 6) fitted in the top of the tunnel and the interior surface of the tunnel (C) using a damp cloth. Avoid waiting until the urgent need to clean these surfaces, indicated by a double flash of the LED (A) every 30 seconds.

9. Fitting Instructions (See Figs. 7 to 11)

Wood / Plastic / Metal Door Panels

NOTE - N. America only: This flap is not suited to 10 digit FDXA microchipped pets in combination with METAL panels.

- 9.1 Place the exterior frame in desired position on panel and draw round the outside of the tunnel section as shown in Fig. 7. We recommend the bottom of the hole is approximately level with your pet's stomach.
- 9.2 Use an electric jig-saw to cut 2mm ($\frac{1}{16}$ ") **outside** drawn line. Be careful to cut hole square to the door, particularly with thicker doors. Ensure frames are free-fitting in hole.
- 9.3 Determine thickness of door panel.
- 9.4 For door panels 3mm ($\frac{1}{8}$ ") - 25mm (1") thick:**
 - 9.4.1 Position exterior frame on outside of door and mark four screw positions (Fig. 8).
 - 9.4.2 Remove frame and carefully drill screw clearance holes square to panel at 6mm ($\frac{1}{4}$ ") diameter (Fig. 9).
 - 9.4.3 For panels less than 17mm ($\frac{5}{8}$ ") thick, cut excess liner from **exterior** frame (G) as shown in Fig. 10 with a hacksaw or plastic cutting disc.
 - 9.4.4 Fit seal (J) to exterior frame. Position exterior frame on outside of door. Screw interior frame to it by using 37mm ($1\frac{1}{2}$ ") screws. Finally, fit screw caps (Fig. 11).

9.5 For door panels 25mm (1") + thick:

- 9.5.1 Carefully drill out four holes in interior frame to allow close clearance on screws (recommended drill 5mm ($\frac{3}{16}$ ") diameter) as shown in Fig. 12.
- 9.5.2 Fit seal (J) to exterior frame. Screw exterior frame to outside of door using 13mm ($\frac{1}{2}$ ") screws.
- 9.5.3 Screw interior frame to inside of door using 22mm ($\frac{7}{8}$ ") screws. Finally, fit screw caps.

Metal Panels (including plastic coated metal)

After fitting, ensure the flap is tuned to the metal panel by pressing the 'PROGRAM' button (H) for 5 seconds until LED (A) lights. After 10 seconds press the 'PROGRAM' button again to complete retuning.

Walls / Glass Panels

For easy installation you will require an adapter kit available from your cat flap supplier or direct from Pet Mate (Product Ref. 361).

10. Troubleshooting

- 10.1 Red LED (A) flashing
 - 1 flash every 30 seconds indicates need to replace alkaline batteries.
 - 2 flashes every 30 seconds indicates cleaning required (See Section 8).
 - Random flashing indicates changes in light level or need to clean cat flap (See Section 8).
- 10.2 Flap does not open in response to programmed I.D. Disc or microchip
 - Check '4 WAY' lock is set to permit access in the chosen direction.
 - Check catch (D, Fig. 1) moves freely up and down.
 - Clean cat detector lenses and tunnel (See Section 8).
 - Check batteries are correctly orientated (Fig. 3) and not in need of replacement (See Section 6).
 - Check I.D. Disc is correctly fitted to cat's collar.
 - If possible, try operation with another programmed I.D. Disc / microchip to ascertain if there is a fault with a particular I.D. Disc / microchip.
 - Check cat flap is mounted at correct height (See Section 9).
 - If all else fails, remove one battery and wait a minimum of 5 minutes. Refit battery and then check if flap functions correctly. If not perform a 'FACTORY RESET' (See Section 7) before reprogramming (See Section 3).



Pet Mate Ltd. guarantees your product for a period of 3 years from the date of purchase, subject to the registration of your purchase details on our website www.pet-mate.com within 14 days of purchase. (If you do not have access to a computer, please send details of your purchase with copy of receipt along with your name and address.) In the event of a fault developing contact Pet Mate customer services for a returns authorisation number. The guarantee is limited to any defect arising due to faulty materials or manufacture. Any defective item will be repaired or replaced free of charge at the manufacturer's discretion, provided that the defect has not been caused by neglect, misuse or normal wear and tear. Your statutory rights are not affected.